

How to Make Templates

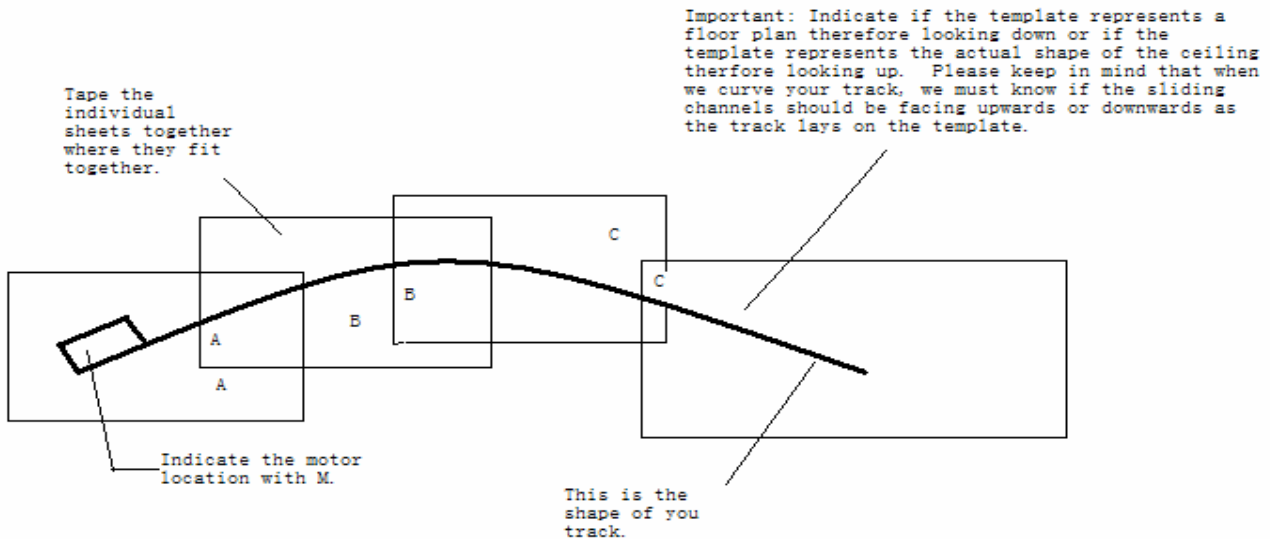
You are about to place an order with Silent Gliss for custom curved tracks. Thank you very much! To provide you with precise curving, Silent Gliss needs very specific information. Silent Gliss will only be able to assure your requirements if you provide us with a template and certain additional information. The following steps below will help you to give us all the necessary information.

What material should you use for templates?

Silent Gliss accepts any material that represents the actual shape of the track. However, the best way to make accurate templates is by using craft paper.

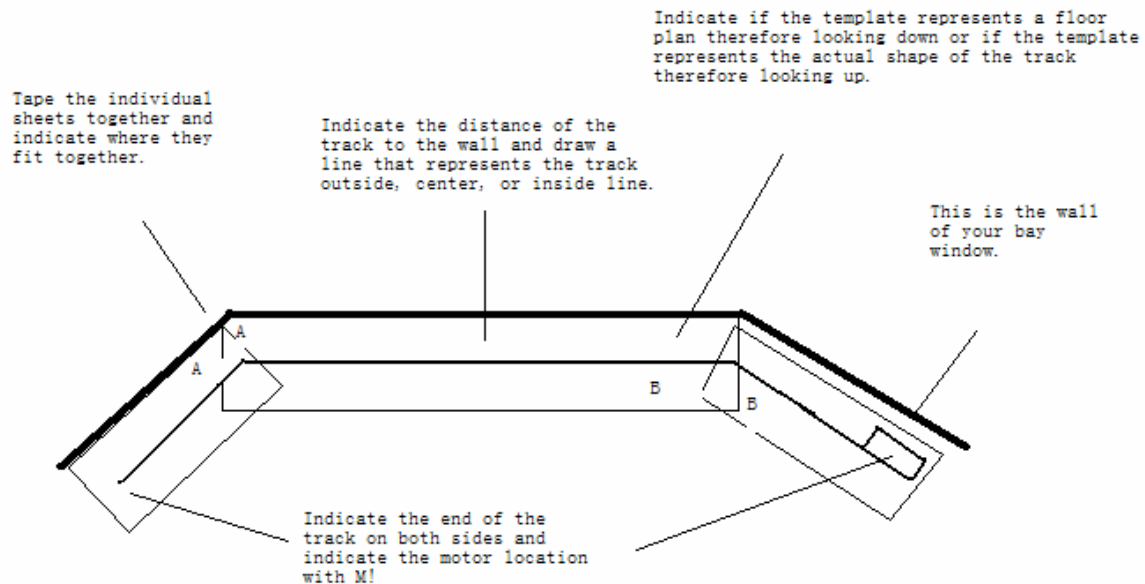
What if the material is not big enough?

This is no problem! Simply join several pieces of the same material and tape these together as securely as possible. Just in case the template comes apart during the transport to Silent Gliss we recommend additional locating marks on all the individual pieces indicating where they should match each other as shown below.



How do you determine the shape of your track?

This depends on the actual shape of the track. For instance, if the track only has small bends and straight sections in-between, like a bay window (drawing below), then the easiest way to make the template is to put craft paper all along the wall on the floor and then tape them together while they are lined up with the walls. Make sure that the tape will hold the papers securely.



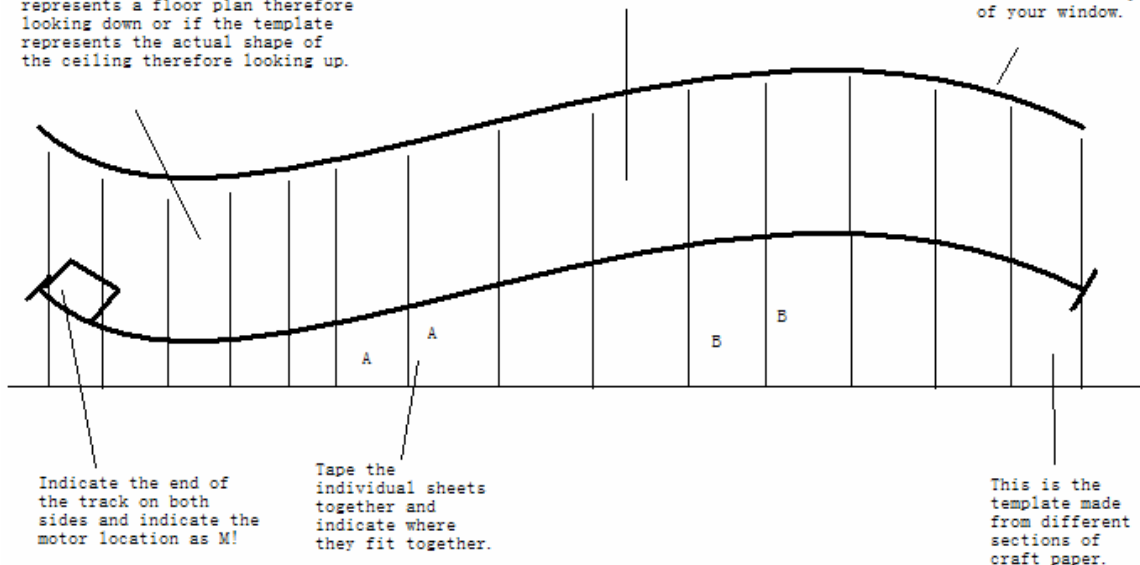
If your track will have continuous curves, the following would be the easiest way to make the required template.

Tape several pieces of craft paper together so that the paper has the shape of the wall you will install the track along.

Indicate the distance of the track to the wall and draw a line that represents the track outside, center, or inside line.

Indicate if the template represents a floor plan therefore looking down or if the template represents the actual shape of the ceiling therefore looking up.

This is the shape of your window.



In addition to the information above, we need the following information **written onto the template:**

- ✓ Indicate if the template represents a floor view (like a normal floor plan) or a ceiling view.
- ✓ Total length of the track.
- ✓ Indicate where the motor has to be placed (which side of the track).
- ✓ Indicate the distance from the wall and draw an actual line of the track.
- ✓ Indicate if the line you draw represents the window side, room side, or the centerline of the track.
- ✓ Clearly indicate on that line the exact end of the track.
- ✓ Indicate any obstacles that could be of importance, like a pocket, cornice, or recess that the track will be installed into or any other relevant information.
- ✓ Please keep in mind that when we curve your track, we must know if the sliding channels should be facing upwards or downwards as the track lays on the template! Just write: "Sliding channel facing upwards (or downwards)" onto the template.

IF ANY INFORMATION IS MISSING, BENDING OR CURVING CANNOT BE COMPLETED CAUSING A DELAY IN THE ORDER!!

If you have any questions, please do not hesitate to call for assistance!

Silent Gliss USA, Inc.
Customer Service

Toll Free: 800.938.7225
Phone: 770.466.4811

